

Stock Code: **20125LEDDMG-ORB/OPL**

Collection: Soll

PRODUCT INFORMATION

Base: 20125 Parent: 20125LEDD
Mounting Type: Wall UPC: 641594236651
Finish: Oil Rubbed Bronze
Diffuser: Opal

PRODUCT MEASUREMENTS

FIXTURE	BACKPLATE / CANOPY
Length:	Length
Width: 4.75"	Width: 4.75"
Diameter	Diameter:
Height: 10"	Height: 4.75"
Extension: 4.5"	
Overall Height:	

TECHNICAL SPECIFICATIONS

SPECIFICATIONS

Frame Material: Steel
Diffuser Material: Glass
Lamping Type: SSL (Dedicated LED) Jbox: Standard
Lamping Base: SSL Lamp Wattage: 8 W
Lamp Quantity: 1 Total Wattage: 8 W
Voltage: 120v Lamps Included: Yes

QUALIFICATIONS

Location Rating Wet
Certification: UL (US/Canada) Listed
ADA Compliant: No Energy Star: No
JA8 Compliant: Outdoor Only Emergency Lighting: No
Marine Grade Finish: Yes
Warranty: 5 Year

PHOTOMETRICS

Dimmable: Yes Nominal Lumens 720 Lm
CRI: 90 Delivered Lumens: N/A
CCT: 3000K
Recommended Dimmers:
(TRIAC)LUTRON Diva DVCL-153P; (ELV)LUTRON Maestro MRF2-6CL; (ELV)LUTRON Maestro CL MACL-153M;
(ELV)LUTRON Caseta PD - 6WCL

ADDITIONAL NOTES

Custom Finish 100 Piece Minimum Order Quantity; Optional
Color Temperature 100 Piece Minimum Order Quantity

Project Name: _____

Location: _____

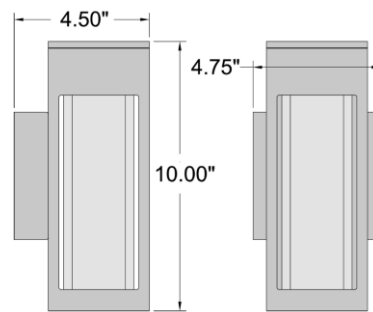
Type: _____

Quantity: _____

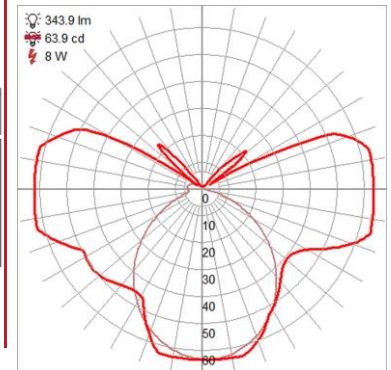
Notes: _____



LINE DRAWING



IES FILE



In addition to Access Lighting's purchase and warranty terms and conditions, by signing below or placing an order, you agree that you are authorized to bind the entity placing any order and acknowledge the following: All of sizes and measurements are approximate and all images are for illustrative purposes only. In the event of an inconsistency, the "Product Measurements" section controls. There also may be slight differences in the colors and designs compared to the displayed and printed images.

Signature: _____

Print Name _____ Date: _____

Toll Free 800-828-5483 www.AccessLighting.com

14410 Myford Road, Irvine, CA 92606

